



**VEMU INSTITUTE OF TECHNOLOGY::P.KOTHAKOTA**

NEAR PAKALA, CHITTOOR-517112

(Approved by AICTE, New Delhi & Affiliated to JNTUA, Anantapuramu)

**Department of Mechanical Engineering**

An Online Workshop

on

# **“PRODUCT DESIGN AND DRAFTING BY CATIA”**

in Association with

**ANDHRA PRADESH SKILL DEVELOPMENT  
CORPORATION (APSSDC), VIJAYAWADA**

**Date: 12-05-2021 to 29-05-2021**

**Mode:** Online

**TARGETTED STUDENTS: III ME**



**VEMU INSTITUTE OF TECHNOLOGY::P.KOTHAKOTA**  
NEAR PAKALA, CHITTOOR-517112  
(Approved by AICTE, New Delhi & Affiliated to JNTUA, Anantapuram)

**Department of Mechanical Engineering**

**Date: 11-05-2021**

Ref: VIT/ME/WS-02/2020-21/SEM-II

## **CIRCULAR**

It is hereby informed to all of the III year ME Students that there is a WORKSHOP on “**PRODUCT DESIGN AND DRAFTING BY CATIA**” from **12-05-2021 to 29-05-2021**. Hence all the III year ME students are instructed to attend the workshop without fail.

**Mode: Online**

Link: <https://www.gotomeet.me/kvswe002>

**HOD**  
**HEAD**

**DEPARTMENT OF ME**  
**'EMU INSTITUTE OF TECHNOLOGY'**  
**P. KOTHAKOTA - 517 112**

**Copy To:** The Principal Desk,  
The Staff In-charge,  
Circulate among all faculty members.

AN ONLINE PRODUCT DESIGN AND DRAFTING BY  
CATIA

**Registration Form**  
12<sup>th</sup> – 29<sup>th</sup> May 2021

- 1 Name :
- 2 Roll No :
- 3 Year & Branch :
- 4 Name of the College :
- 5 Mobile :
- 6 E-Mail :

Place :

Date : Signature of the Candidate

**Bonafide Certificate :**

Mr./Ms. .... is a Student of our Institute and studying ..... B.Tech. If selected, the Student may be permitted to participate in the above programme.

Date : Signature of the HOD/  
Head of the Institution with Seal

(Photostat copy of this form can be used if necessary)

**Chief Patron**  
Dr. K. Chandrasekhar Naidu  
Chairman

**Patron**  
Dr. NAVEEN KILARI  
Principal

**Convener**  
Dr. K. V. N. V. N. Rao  
HOD, ME

**Co-ordinator**  
Dr. G. Ramesh  
Assoc. Prof. in ME Dept.

**Organizing Committee**

Dr. A. Mahamani, Prof., ME  
Mr. G. Sudarsana Reddy, Prof., ME  
Mr. G. Suresh, Assoc. Prof., ME  
Mr. V. Venkataramana, Assoc. Prof., ME  
Mr. M. Venkatesulu, Assoc. Prof., ME  
Mr. M. Sudarsanam, Assoc. Prof., ME  
Mr. M. Dora Babu, Assoc. Prof., ME  
Mr. A. Trivikram, Assoc. Prof., ME  
Miss. Y. Bhargavi, Asst. Prof., ME.  
Mr. M. Jeevan Prasad, Asst. Prof., ME  
Mr. P. Kumar, Asst. Prof., ME  
Mr. V. V. Ananth, Asst. Prof., ME  
Mr. K. Hema Mahesh Babu, Asst. Prof., ME  
Mr. K. V. Sarath Babu, Asst. Prof., ME  
Mrs. Ramya Sree, Asst. Prof., ME,  
Mr. B. W. Sandeep Kumar, Asst. Prof., ME  
Mr. M. Shankar, Asst. Prof., ME  
Mr. N. Sandeep Rajan, Asst. Prof., ME  
Mrs. P. Kalaiselvi, Asst. Prof., ME.

AN ONLINE WORKSHOP  
ON

**PRODUCT DESIGN AND  
DRAFTING BY CATIA**  
12<sup>th</sup> – 29<sup>th</sup> MAY 2021



ANDHRA PRADESH STATE  
Skill Development Corporation



**Organized by**

DEPARTMENT OF MECHANICAL ENGINEERING

VEMU INSTITUTE OF TECHNOLOGY

P.KOTHAKOTA, NEAR PAKALA  
CHITTOOR-517112

[www.vemu.org](http://www.vemu.org)

**Our College:**

Vemu Institute of Technology has been started in Chittoor District by an eminent educationist cum philanthropist-Dr. K.C. Naidu, retired Professor of Andhra University with excellent infrastructural facilities catering to the educational needs of rural and semi-urban students. VEMU is one of the few ISO 9001-2015 certified premier Engineering/Management colleges in the Rayalaseema region of A.P. (located in the Chittoor - Tirupati Highway) approved by AICTE and affiliated to JNTUA. Our college is accredited with A-Grade by Department of Technical Education, Govt. of AP., which is key performance indicator of our college in the year 2016 and accredited by NAAC in the year 2017. Vemu offers B.Tech programs in 5 disciplines viz, ECE, EEE, ME, CE, CSE and PG Programmes - MBA & M.Tech. The college is established in a serene atmosphere of 16 acres sprawling campus facilitated with spacious classrooms, modern laboratories, computer systems, seminar halls and e-training rooms, an exclusive well furnished placement cell with GD Rooms and Interview chambers and a huge library with 40,000 volumes.

**About the Mechanical Engineering Department:**

The department offers B. Tech. in Mechanical Engineering, and M. Tech in Machine Design. The department has highly qualified faculty members, state of art laboratories and infrastructure. Continuing Education.

programs and customized training/workshops are being organized by industry personnel on regular basis. Students of the department are actively involved in various extracurricular activities and extension activities. It also gives the participants ample opportunity for exchanging the views and sharing Knowledge with wide spectrum of students. The department adopts innovative teaching methods to make learning more effective and effective instructional materials are provided to make the academics interesting.

**About APSSDC (Andhra Pradesh State Skill Development Corporation) :**

APSSDC is a unique organization formed as a Public Private Partnership (PPP) corporation to promote skill development & entrepreneurship in the state of Andhra Pradesh. The Corporation is incorporated as a Section-8 company (not-for-profit) with a private equity component of 51% and 49% by Govt. of AP. APSSDC will be staffed with best of talent in this sector & will partner with leading training providers & industry to carry out the training programmes. It aims to develop a best-in-class learning management system and placement and tracking mechanism. Ultimately, it aims to be among the best training provider organizations in the

world. Some unique & best of class training programmes like Siemens Centres of Excellence Clusters, Capital Area Skilling, Train the Trainer, etc. are part of the whole gamut of trainings to be offered at different levels.

**GUIDELINES:**

- ✓ All II Year B.Tech Mechanical Students of Department of Mechanical Engineering, Vemu Institute of Technology should attend to this workshop.
- ✓ Participants have to take the test after completion of the workshop.

For further Details Click on to [www.vemu.org](http://www.vemu.org)

**Address for Communication:**

Convener,  
VEMU Institute of Technology  
P.Kothakota, Near Pakala  
Chittoor-517112  
Andhra Pradesh

**For Details Contact:**

Dr. G. Ramesh - 9502602439  
Mr. K. Hema Mahesh Babu - 9989493943  
Mr. M. Venkatesulu - 9985954295















# VEMU INSTITUTE OF TECHNOLOGY::P.KOTHAKOTA


NEAR PAKALA, CHITTOOR-517112

(Approved by AICTE, New Delhi & Affiliated to JNTUA, Anantapuramu)

## Department of Mechanical Engineering

78	194M5A0319	N VINAY	√	√	√	√	√	√	√	√	√	√	√	√	√	√	√	√
79	194M5A0320	PANABAKAM SAINATH REDDY	√	√	√	√	√	√	√	√	√	√	√	√	√	√	√	√
80	194M5A0321	PERUMALLA VAMSI KRISHNA	√	√	√	√	√	√	√	√	√	√	√	√	√	√	√	√
81	194M5A0323	S HAREESH	√	√	√	√	√	√	√	√	√	√	√	√	√	√	√	√
82	194M5A0324	THAMMISSETTY YEDUKONDALU	√	√	√	√	√	√	√	√	√	√	√	√	√	√	√	√
83	194M5A0325	THANGELLA VENKATATHARUN	√	√	√	√	√	A	√	√	√	√	√	√	√	√	√	√
84	194M5A0326	TIRUPATHI JAYAKUMAR	√	√	√	√	√	√	√	√	√	√	√	√	√	√	√	√
85	194M5A0327	VALLURU SISINDRI	√	√	√	√	√	√	√	√	√	√	√	√	√	√	√	√
86	194M5A0328	D RAHAMATHULLA	√	√	√	√	√	√	√	√	√	√	√	√	√	√	√	√
87	194M5A0329	GP RAGHUL MARK ANTHONY	√	√	√	√	√	√	√	√	√	√	√	√	√	√	√	√
88	194M5A0330	P SANTHOSH	√	√	√	√	√	√	√	√	√	√	√	√	√	A	√	√
89	174M1A0326	G RAJ KUMAR	√	√	√	√	√	√	√	√	√	√	√	√	√	√	√	√
90	174M1A0364	P BHANU PRAKASH	√	√	√	√	√	√	√	√	√	√	√	√	√	√	√	√
91	174M1A0395	T SIDDI GANESH	√	√	√	√	√	√	√	√	√	√	√	√	√	√	√	√

  
PRINCIPAL  
Vemu Institute of Technology  
P. KOTHAKOTA - 517 112

  
HOD  
HEAD  
DEPARTMENT OF ME  
VEMU INSTITUTE OF TECHNOLOGY  
P. KOTHAKOTA - 517 112



# VEMU INSTITUTE OF TECHNOLOGY::P.KOTHAKOTA

(Approved by AICTE, New Delhi & Affiliated to JNTUA, Anantapuramu)

## DEPARTMENT OF MECHANICAL ENGINEERING

### Report-On

An Online Workshop

### PRODUCT DESIGN AND DRAFTING BY CATIA

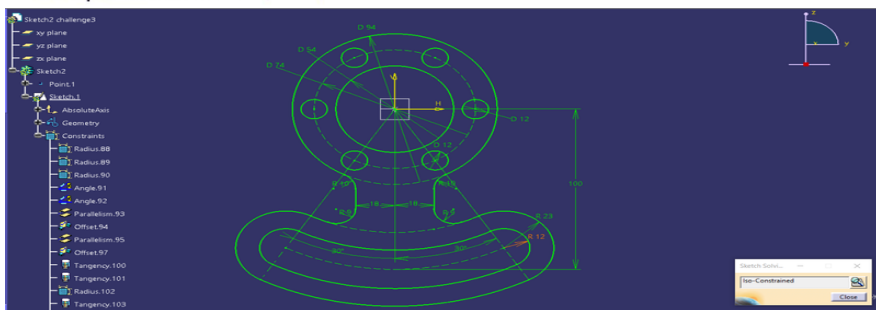
(12-05-2021 to 29-05-2021)

The Department of ME, Vemu IT in association with Andhra Pradesh Skill Development Corporation (APSSDC), Vijayawada, has organizing an Online workshop on “**PRODUCT DESIGN AND DRAFTING BY CATIA**” from 15<sup>th</sup> May, 2021 to 29<sup>th</sup> May, 2021 for the III B.Tech students of Mechanical Engineering to enhance the knowledge regarding drafting by CATIA by Miss. G.Sumohana and Miss. K.Prasana Lakshmi, Trainers, APSSDC, Vijayawada.

This program was organized by Dr. K.V.N.V.N Rao, Head of the Department with the convener Dr. G. Ramesh, Associate Professor, and the Co-convener of program Mr. P. Kumar, Assistant Professor in the ME Department.

The program was held on **online mode** for all theory sessions and practical sessions.

The total program is successfully completed with the cooperation of each and every faculty member of the Department and student participants.



*W*  
**PRINCIPAL**  
Vemu Institute of Technology  
P. KOTHAKOTA - 517 112

*D. S. R. S. R.*  
**Head of the Department**

**HEAD**  
DEPARTMENT OF ME  
VEMU INSTITUTE OF TECHNOLOGY  
P. KOTHAKOTA - 517 112